

ARIETE NS3110Energy



The Ariete Energy Series high pressure homogeniser/pump features the latest in design concept, contributing to excellence in performance and reliability.

Liquid end

- High quality stainless steel and special high wear resistance materials for best mechanical and corrosion resistance performances
- 3A and electropolished versions available
- Ball (PVB) and poppet valves (PVP) interchangeable into the same block design for maximum product handling flexibility
- Aseptic version compression block available with sterile condensate packing flushing
- Various materials for pumping plungers

Homogenising valve

- One stage (standard on homogenizers) with pneumatic adjustment from the machine's control panel
- High efficiency design valve NanoValve[®], based on advanced fluid dynamics concepts, available as option
- Engineered for easy maintenance and cleaning
- Second stage option

Power end

- Heavy duty and reliable power frame
- AC motor drive
- Forced lubrication with gear pump and low oil pressure switch
- "V" belts drive train and gearbox speed reduction unit

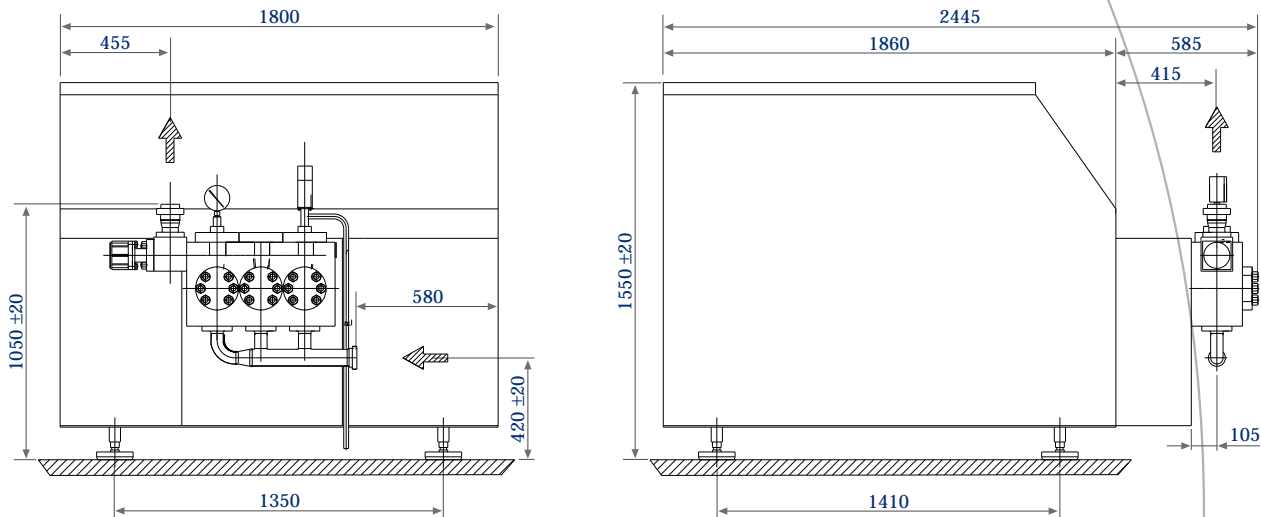
Casing

- Made in polished stainless steel with sound proof lining
- Easy access and maintenance with removable panels
- Noise reduction execution (≤ 75 dB) available

Tools and spares parts

- Special tools and one set of emergency spares parts supplied with the machine
- O&M manual and Spare parts list on CD-ROM

- Designed according to the EU safety rules (CE standards), engineered, manufactured and tested according to ISO EN 9001 Quality System
- Sanitary and aseptic execution, designed for CIP and SIP
- Suitable for abrasive and viscous products
- Homogenizing pressure up to 1500 bar
- Monoblock compression head design up to 600 bar pressure
- Multi block VHP compression head design for operation over 600 bar, to avoid stress concentration and block failure
- Easy implementation in remote control systems and complete process lines



*measure in mm

Performances

	100 bar	150 bar	200 bar	250 bar	400 bar	600 bar	1000 bar	1200 bar	1500 bar
Max Flow Rate (l/h)	22000	22000	18000	15000	8500	5500	2600	2600	1800

Design Features and Materials

- Compression head ——— - special high grade duplex / super-duplex SS alloy
- MONOBLOCK or Multi-Block VHP construction
- Pump Valves ——— - high wear resistant Stellite® alloy removable seats
- ball type (PVB) or poppet type (PVP) in solid Stellite®
- Pistons ——— - Chrome coated stainless steel
- Tungsten carbide coated stainless steel
- Solid ceramic
- Homogenizing Valve ——— - Pneumatic actuated
- wear parts made of Tungsten Carbide, Ceramics as option
- high efficiency NanoValve® available as option
- Pressure Gauge ——— - sanitary design analog high pressure gauge
- Product line connections ——— - DIN 11851, Tri-Clamp®
- others as option upon request
- Power end ——— - rugged cast iron power frame
- forced lubrication with low oil pressure switch
- polished SS machine casing on painted steel frame
- Main options ——— - high pressure pump version
- 2nd stage homogenizing valve
- electric power board for fixed or variable capacity

Technical Data

Number of plungers	3
Stroke	100 mm
Absorbed motor power up to.....	110 kW
Weight	3500 kg
Water consumption.....	120 lph
Lubricating oil ISO VG 150	38 l
Gearbox oil EP 220	35 l
Gearbox cooling water.....	700 lph